

# VIEW MATE<sup>®</sup>

ALL GLASS RAILING SYSTEM  
唯美全玻璃护栏系统



专利产品  
PATENT PRODUCTS





立装式全玻璃护栏系统  
预埋式全玻璃护栏系统  
外挂式全玻璃护栏系统  
全玻璃雨棚系统  
夹胶钢化玻璃  
扶手凹槽管&弯头配件

ON-FLOOR ALL GLASS RAILING SYSTEM  
IN-FLOOR ALL GLASS RAILING SYSTEM  
EXTERNAL ALL GLASS RAILING SYSTEM  
ALL GLASS CANOPY SYSTEM  
TEMPERED LAMINATED GLASS  
CAP RAIL & ACCESSORIES



探索·创新·品质  
Exploration·Innovation·Quality

+

# 目录 Catalogue

A10

立装式  
ON-FLOOR

01-03 页  
Page

A20

立装式  
ON-FLOOR

04-05 页  
Page

A30

立装式  
ON-FLOOR

06-07 页  
Page

A40

立装式  
ON-FLOOR

08-11 页  
Page

A50

立装式  
ON-FLOOR

08-11 页  
Page

A60

立装式  
ON-FLOOR

08-11 页  
Page

A70

外挂式  
EXTERNAL

12-14 页  
Page

A80

立装式  
ON-FLOOR

15-17 页  
Page

A90

预埋式  
IN-FLOOR

18-20 页  
Page

C70

雨棚  
CANOPY

21 页  
Page

扶手凹槽管 & 弯头配件  
CAP RAIL & ACCESSORIES

22-23 页  
Page

钢化夹胶玻璃  
TEMPERED LAMINATED GLASS

24 页  
Page

尺寸测量  
DIMENSION MEASUREMENT

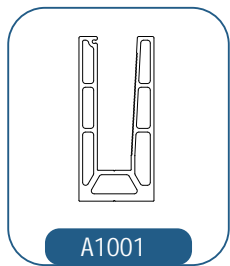
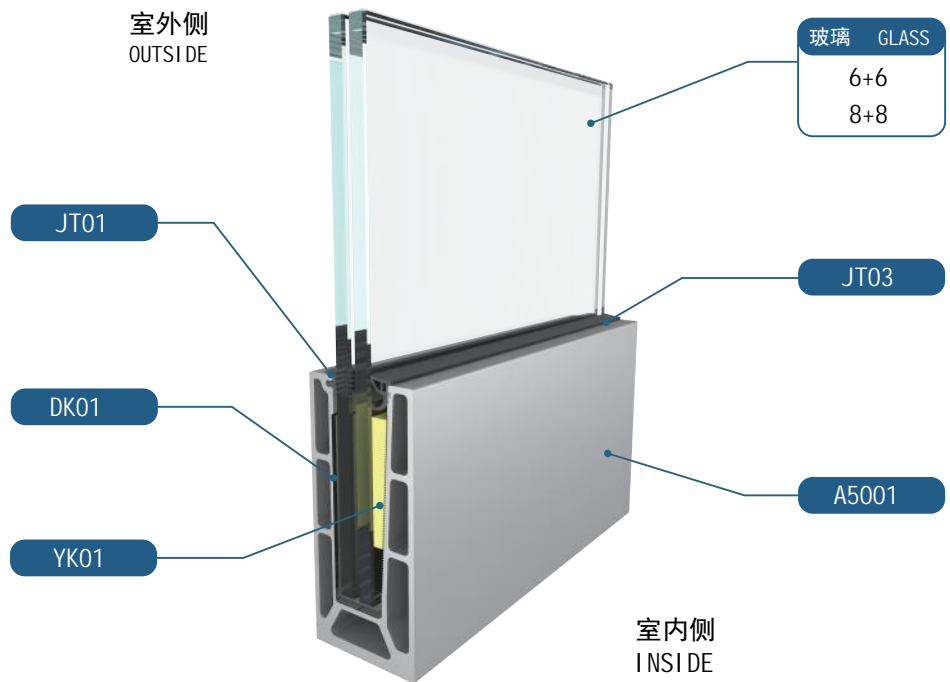
25 页  
Page



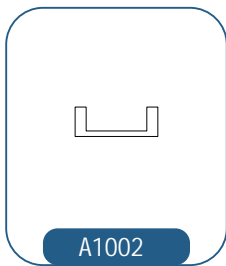
# A10

## 立装式

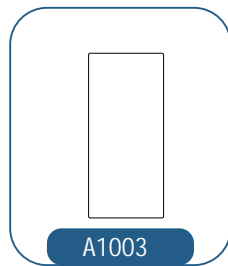
ON-FLOOR



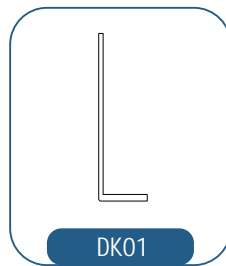
底座  
Base Profile



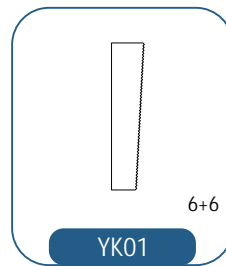
LED灯架  
LED Strip Holder



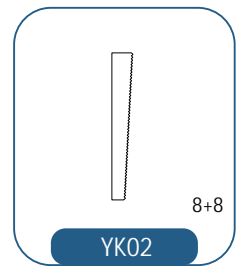
端盖  
End Cap



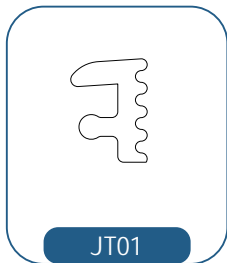
亚克力板  
Acrylic



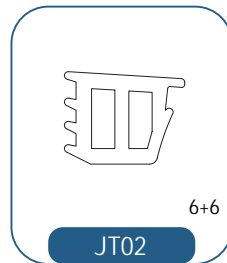
压块  
Wedge



压块  
Wedge



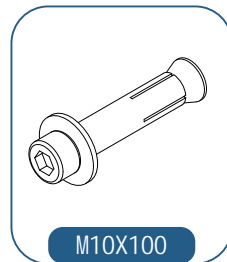
胶条  
Rubber Strip



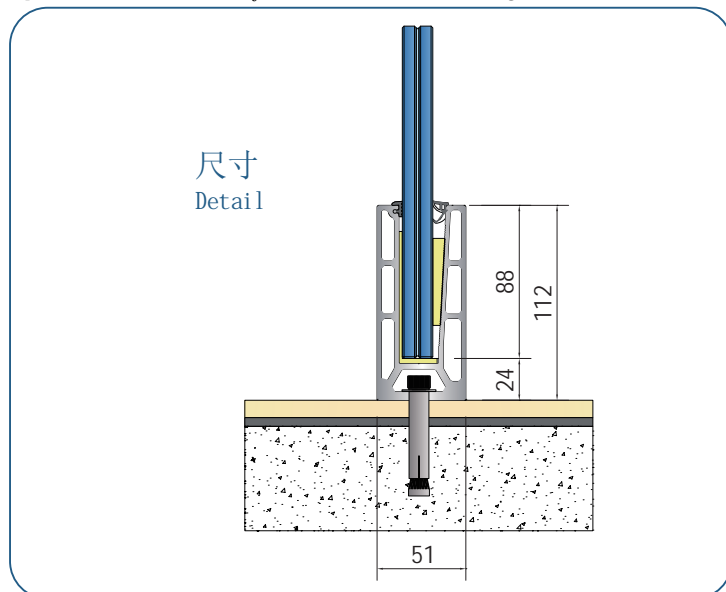
胶条  
Rubber Strip

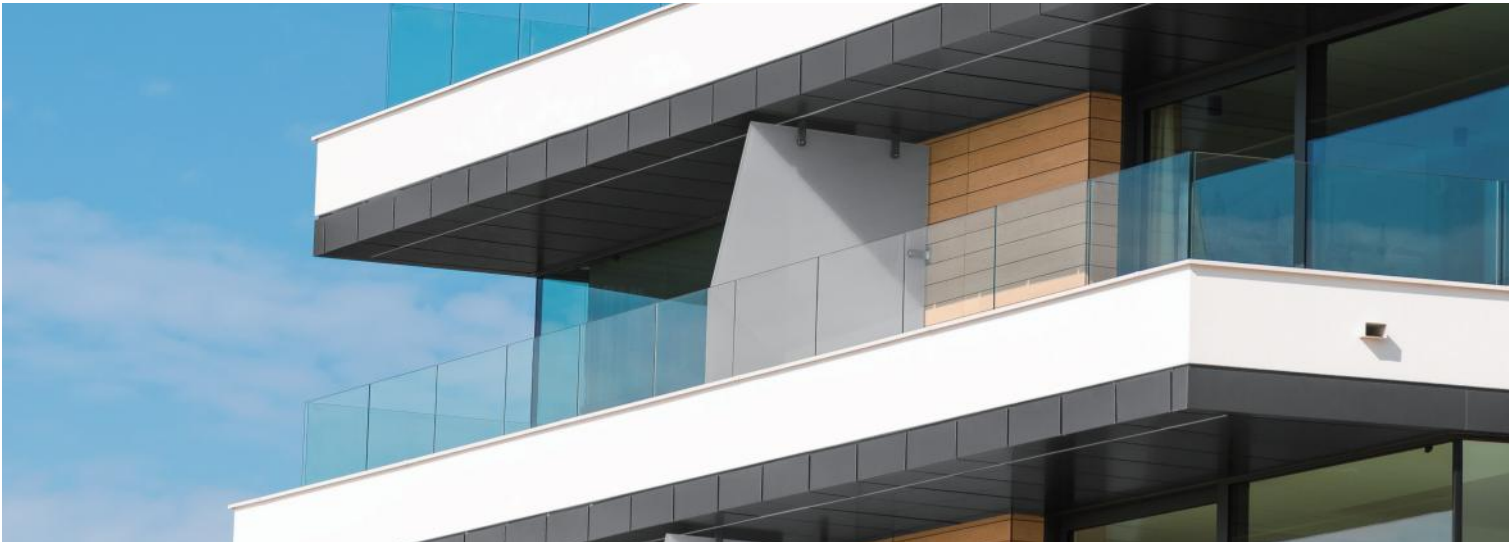


胶条  
Rubber Strip

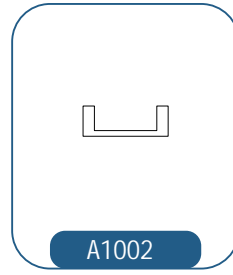


膨胀螺栓  
Expansion Bolt



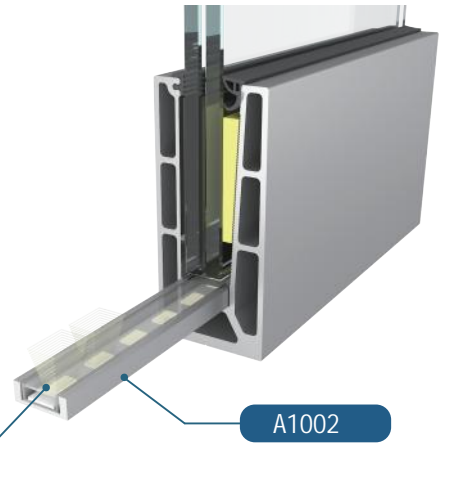


LED灯带  
LED Strip



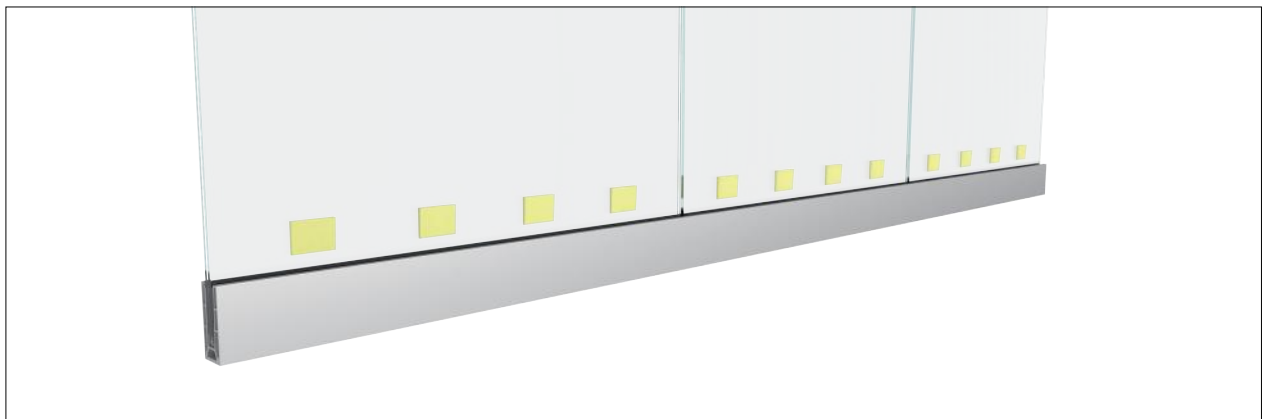
A1002  
LED灯架  
LED Strip Holder

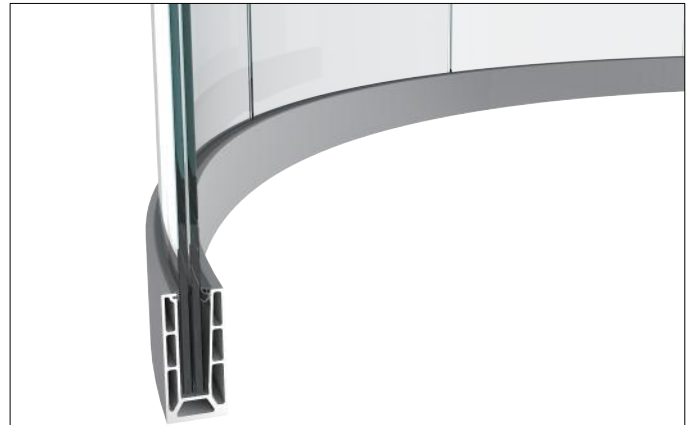
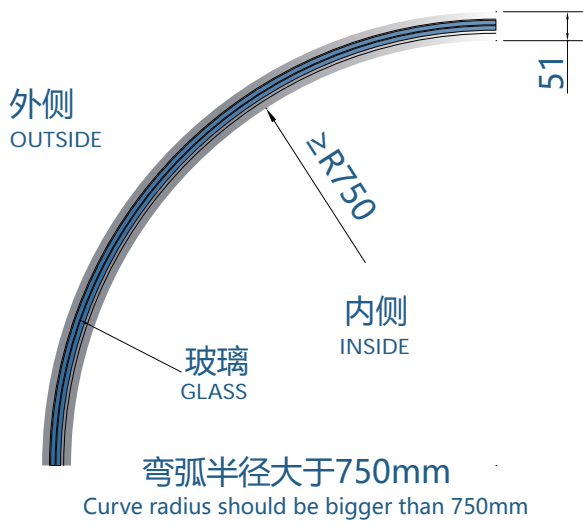
LED灯  
LED Strip



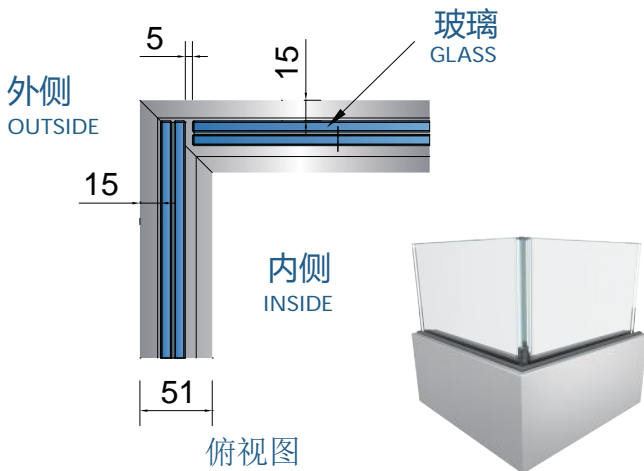
## 安装方式

Linear Continuous Profile Installation

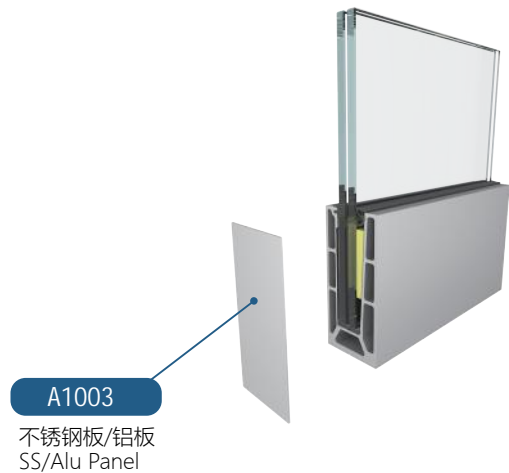




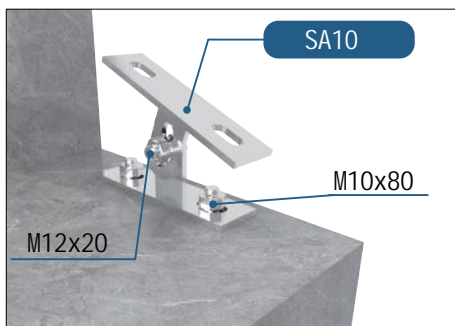
转角位置安装  
Splicing Installation Method



收口  
End Cap



楼梯调节配件  
Stair Adaptor



楼梯安装  
Detail of Stairway  
Application



石材/不锈钢/铝板包边  
Marble Stone Covering  
SS/Aluminium Panel Covering

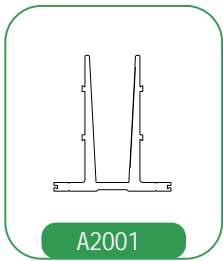
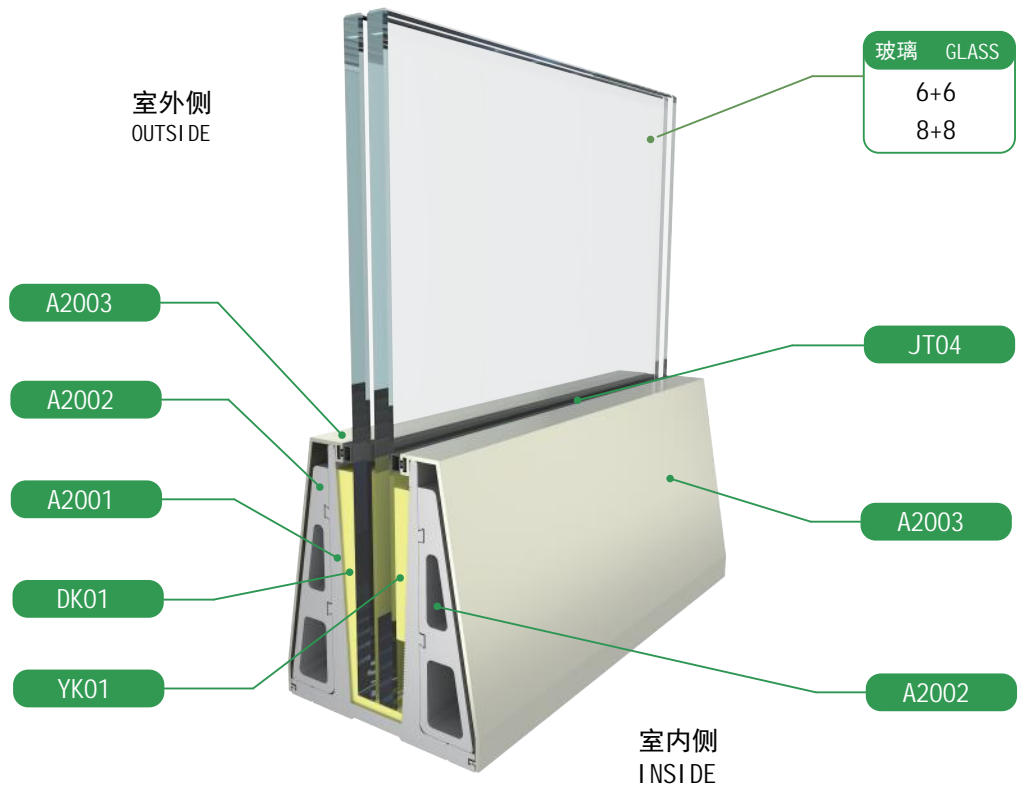




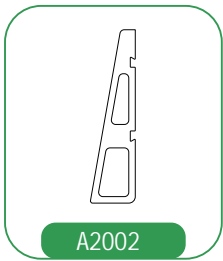
# A20

## 立装式

ON-FLOOR



A2001  
底座  
Base Profile



A2002  
加强肋  
Rib Profile



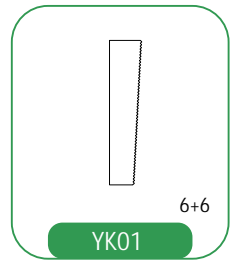
A2003  
装饰盖  
Decorative Cover



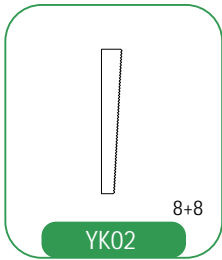
A2004  
端盖  
End Cap



DK02  
垫块  
Nylon Washer



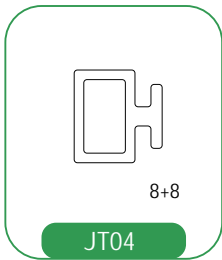
YK01  
压块  
Wedge



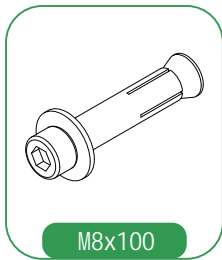
YK02  
压块  
Wedge



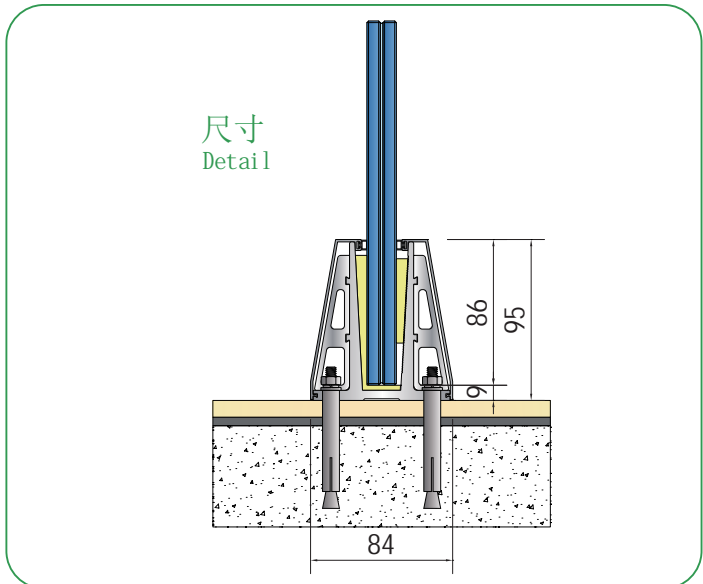
JT03  
胶条  
Rubber Strip



JT04  
胶条  
Rubber Strip



M8x100  
膨胀螺栓  
Expansion Bolt







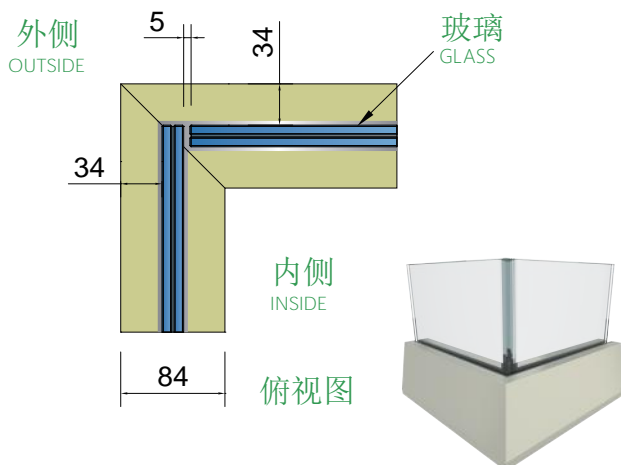
安装方式

Linear Continuous Profile Installation



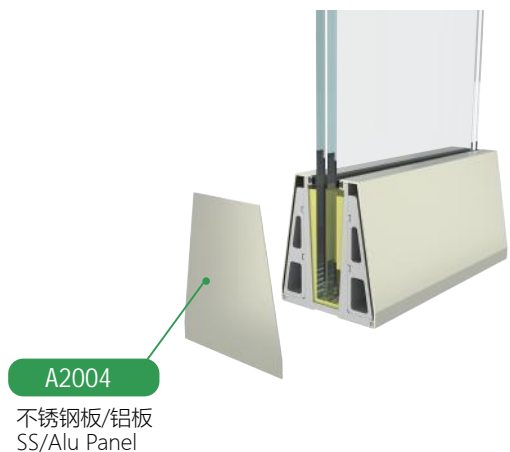
转角位置安装

Splicing Installation Method



收口

End Cap

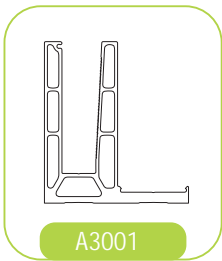
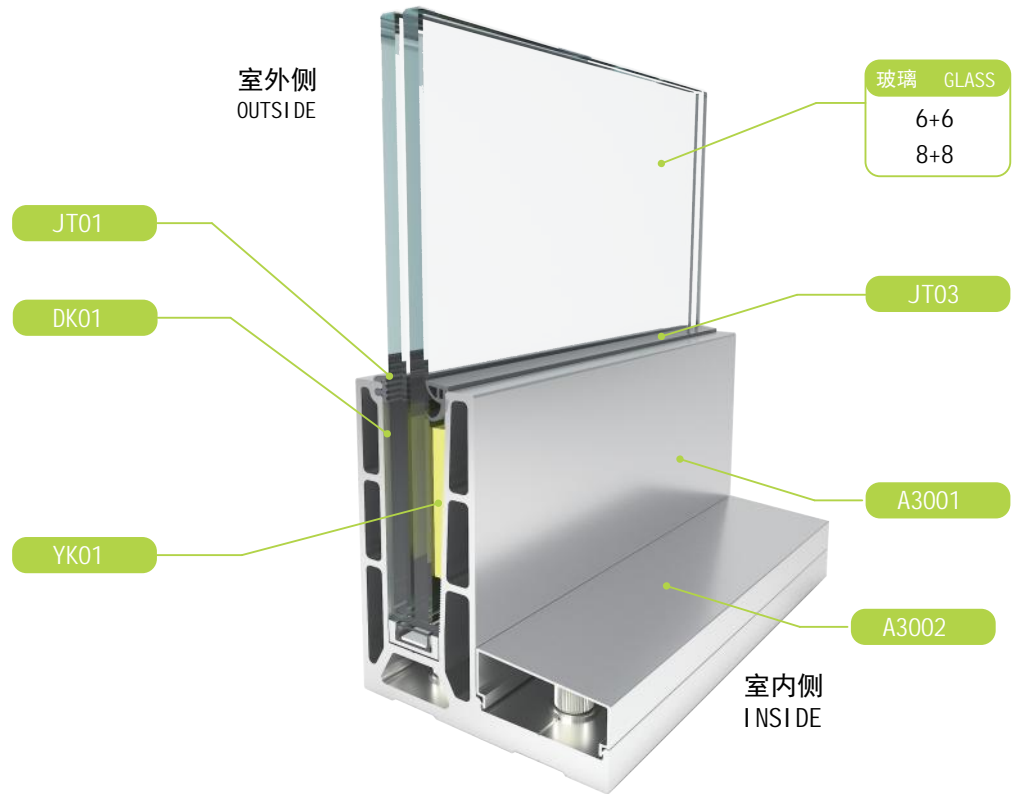




# A30

## 立装式

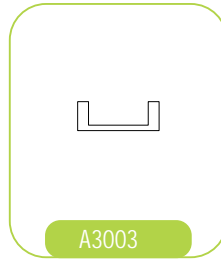
ON-FLOOR



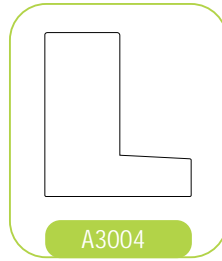
底座  
Base Profile



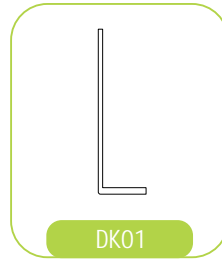
装饰盖  
Decorative Cover



LED灯架  
LED Strip Holder



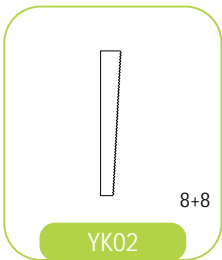
端盖  
End Cap



亚克力板  
Acrylic



压块  
Wedge



压块  
Wedge



胶条  
Rubber Strip



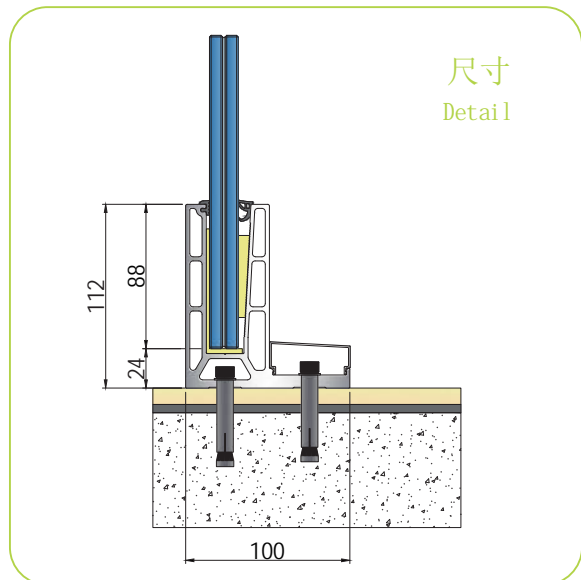
胶条  
Rubber Strip



胶条  
Rubber Strip



膨胀螺栓  
Expansion Bolt





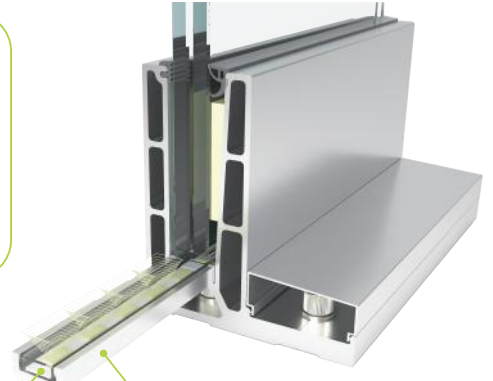
LED灯带  
LED Strip



A3003

LED灯架  
LED Strip Holder

LED灯  
LED Strip



A3003

安装方式

Linear Continuous Profile Installation



转角位置安装

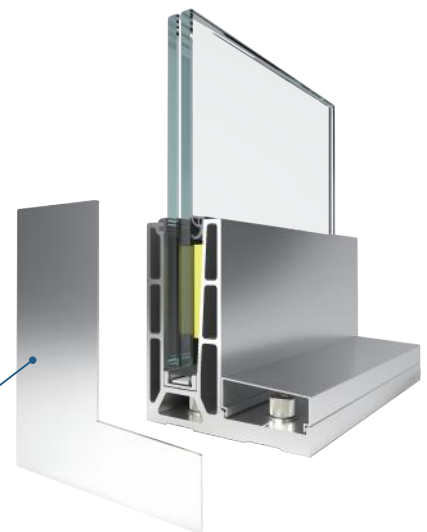
Splicing Installation Method



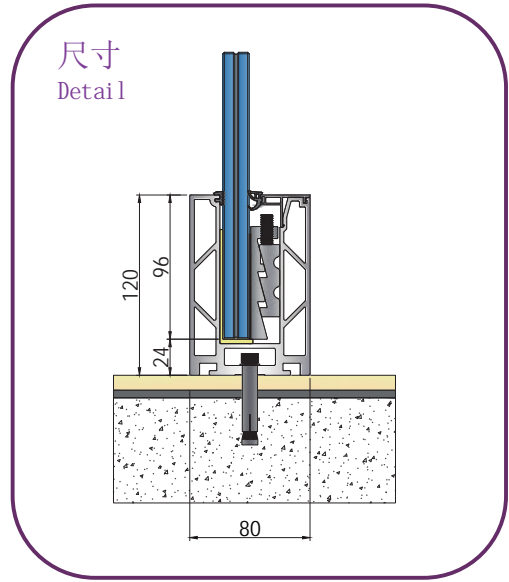
收口  
End Cap

A3004

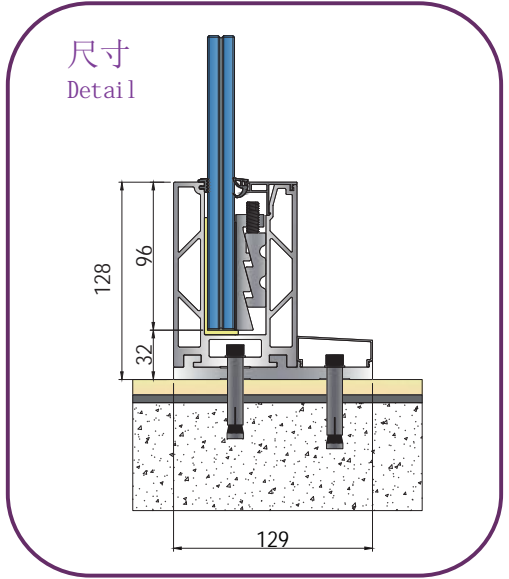
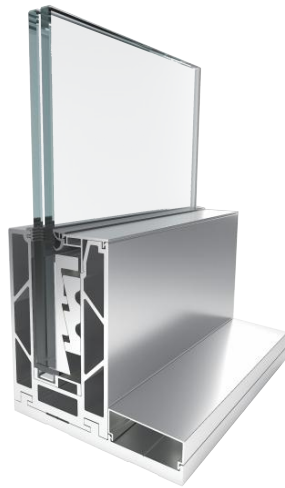
不锈钢板/铝板  
SS/Alu Panel



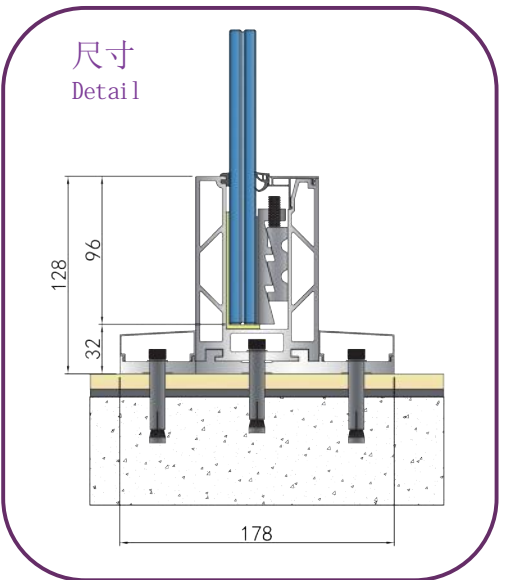
**A40**  
**立装式**  
 ON-FLOOR



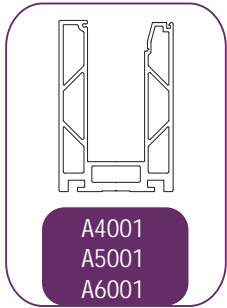
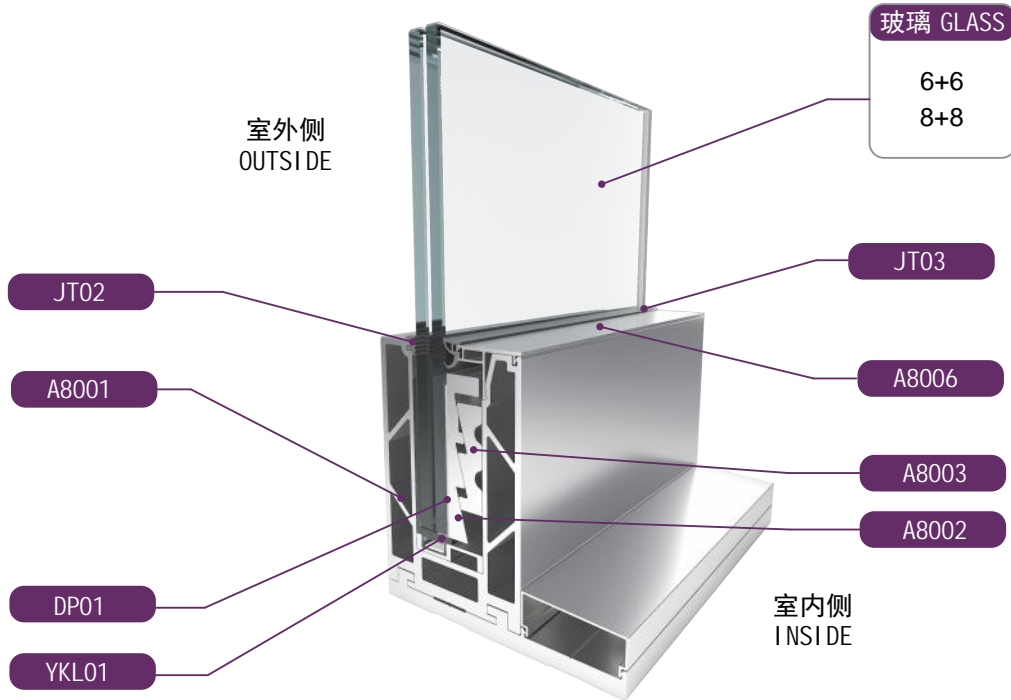
**A50**  
**立装式**  
 ON-FLOOR



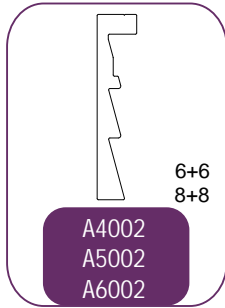
**A60**  
**立装式**  
 ON-FLOOR



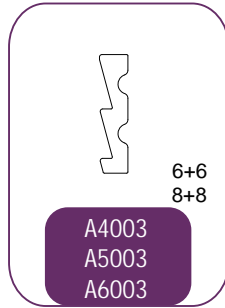




底座  
Base Profile



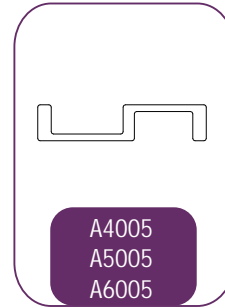
调节块A1  
Adjustment Profile A1



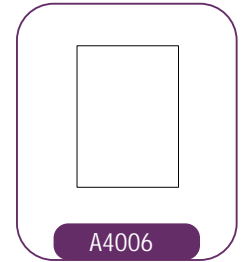
调节块A2  
Adjustment Profile A2



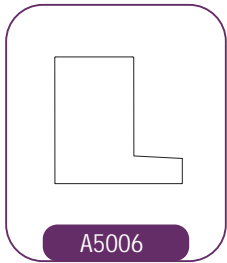
装饰盖  
Decorative Cover



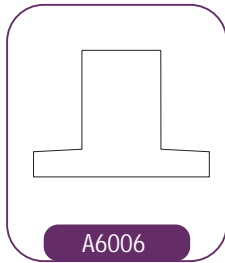
LED 灯架  
LED Strip Holder



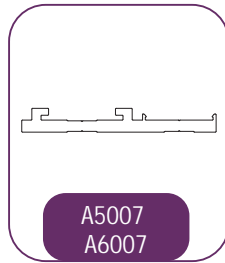
端盖  
End Cap



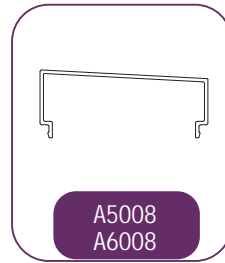
端盖  
End Cap



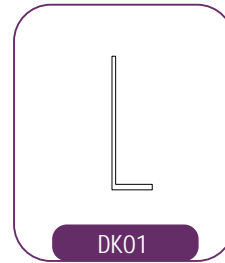
端盖  
End Cap



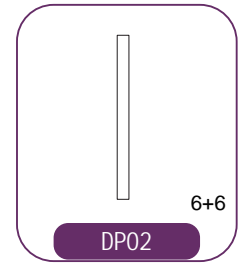
排水垫块  
Drainage Pad



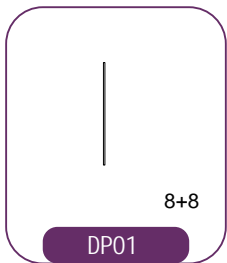
装饰盖  
Decorative Cover



亚克力板  
Acrylic



尼龙垫片  
Nylon Washer



尼龙垫片  
Nylon Washer



胶条  
Rubber Strip



胶条  
Rubber Strip



胶条  
Rubber Strip



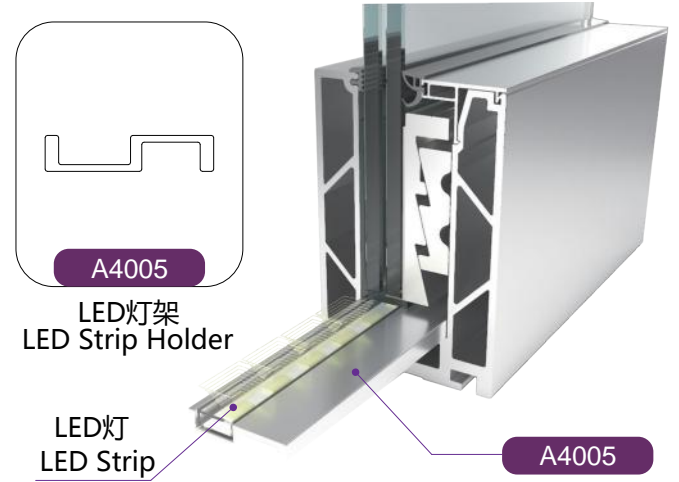
螺丝  
Set Screw



膨胀螺丝  
Expansion Bolt

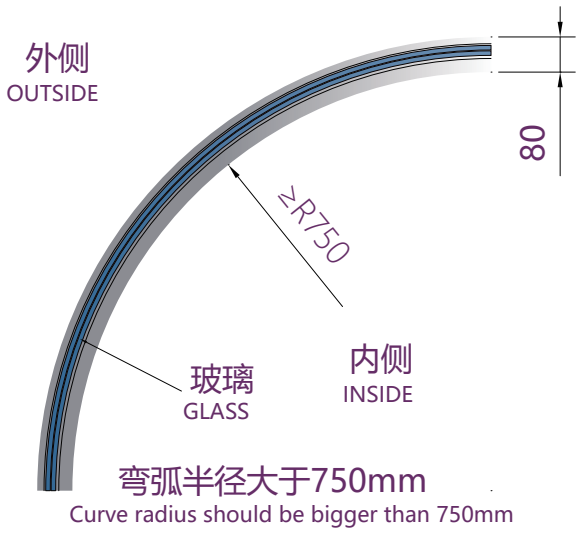


LED灯带  
LED Strip

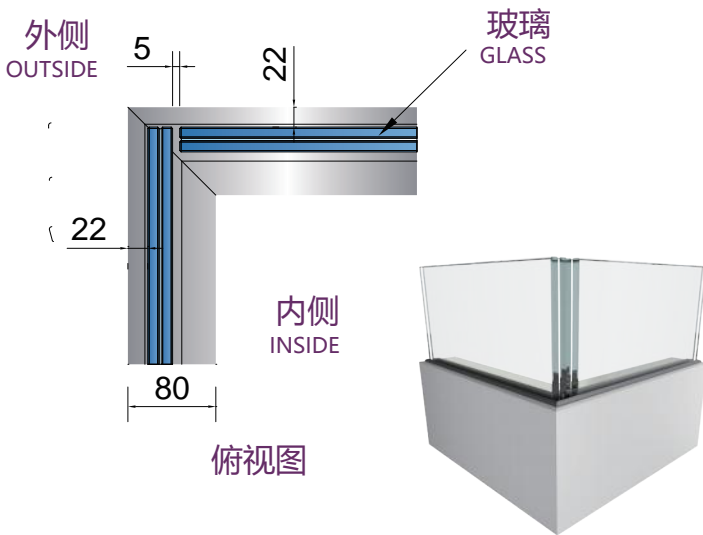


**安装方式**  
 Linear Continuous Profile Installation

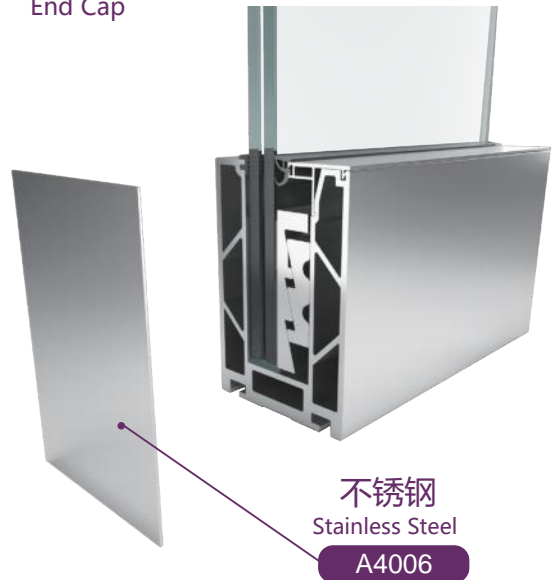




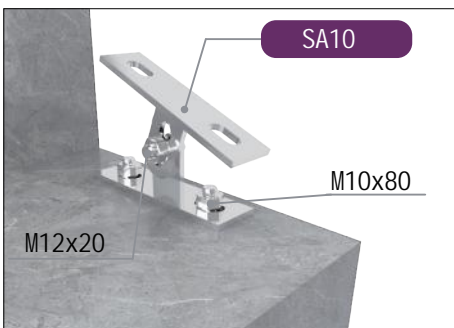
转角位置安装  
Splicing Installation Method



收口  
End Cap



楼梯调节配件  
Stair Adaptor



楼梯安装  
Detail of Stairway  
Application

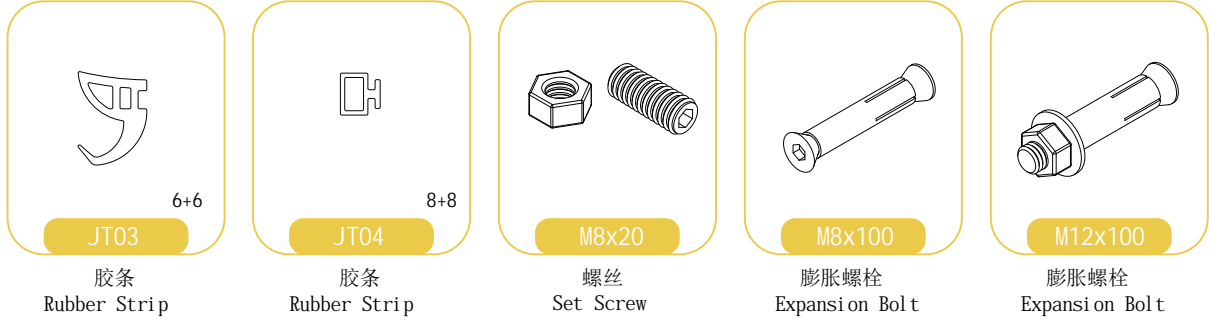
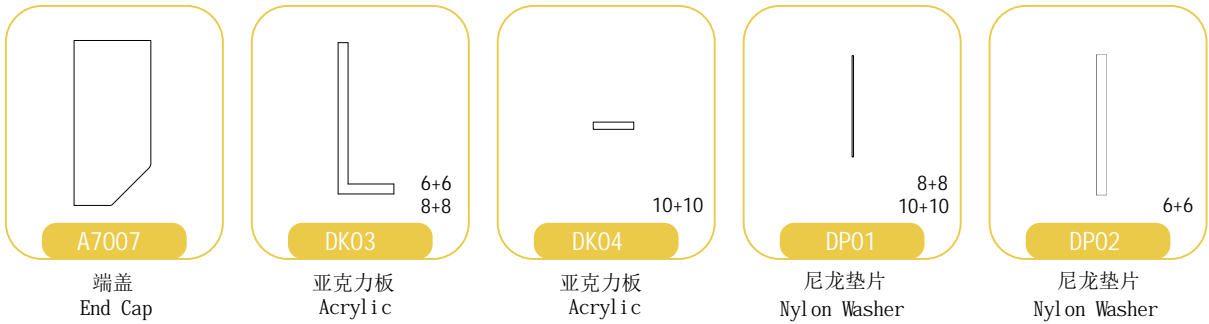
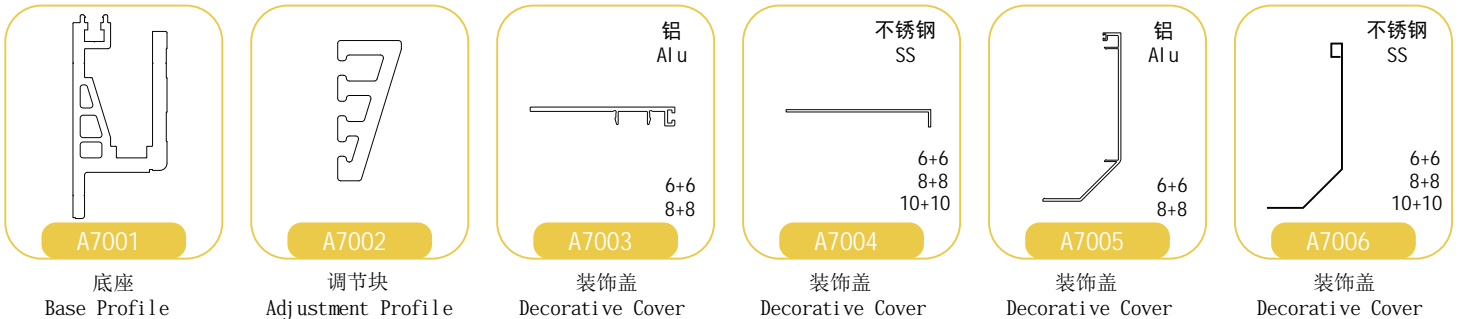
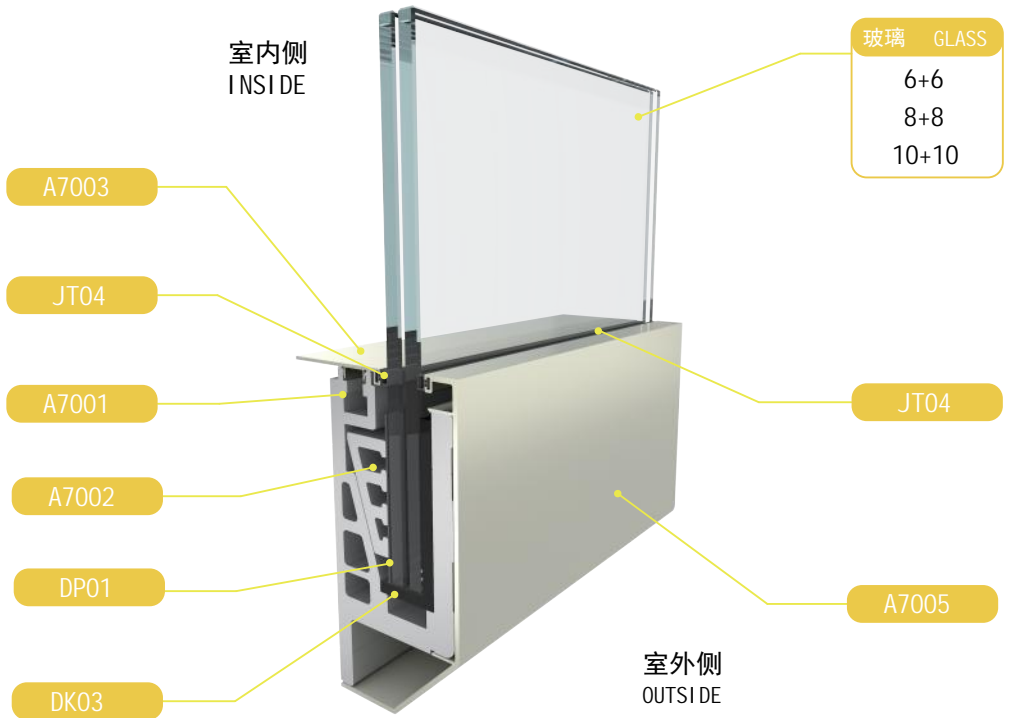


石材/不锈钢/铝板包边  
Marble Stone Covering  
SS/Aluminum Panel Covering



# A70

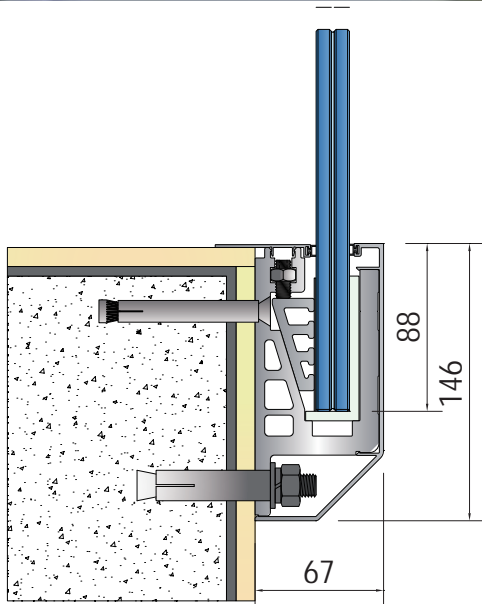
## 外挂式 EXTERNAL



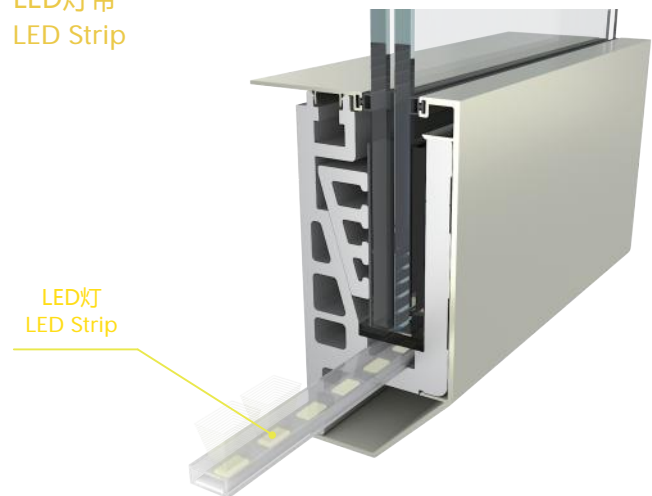




尺寸  
Detail

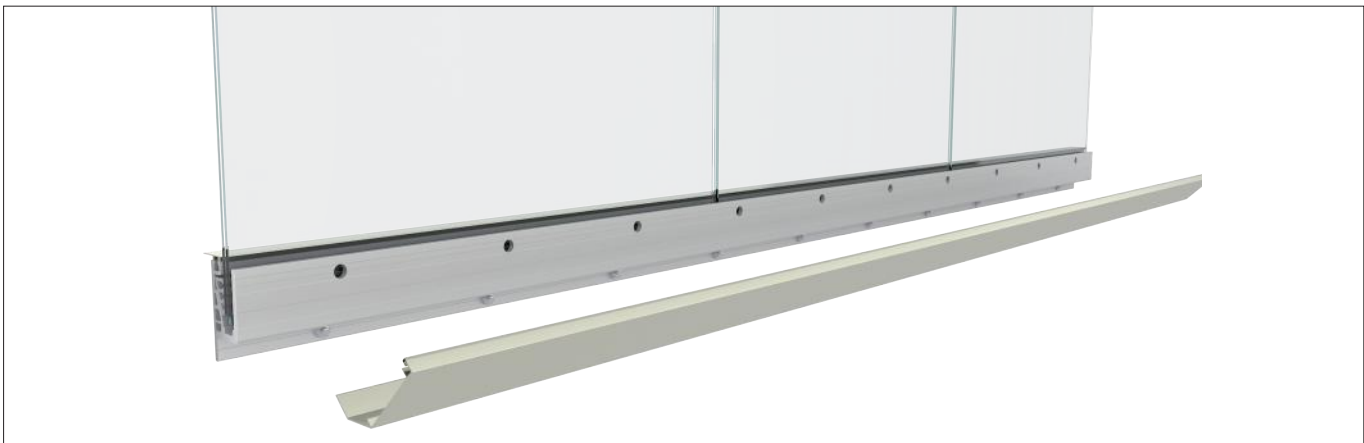


LED灯带  
LED Strip

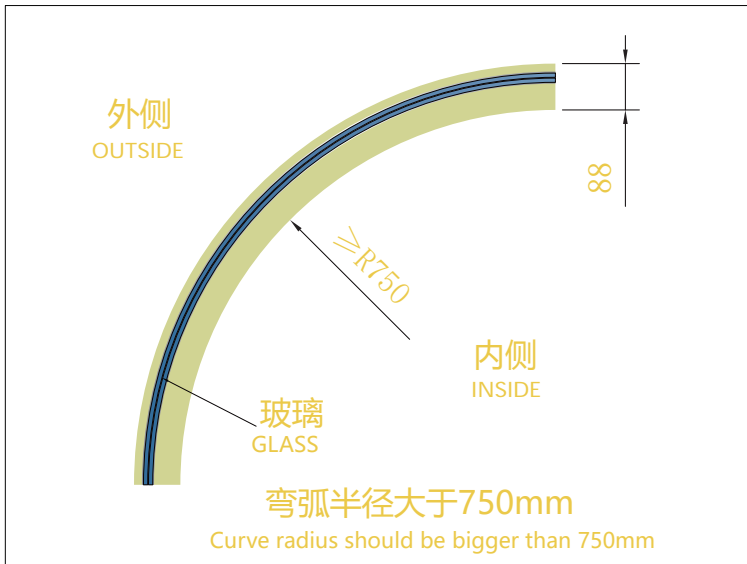


安装方式

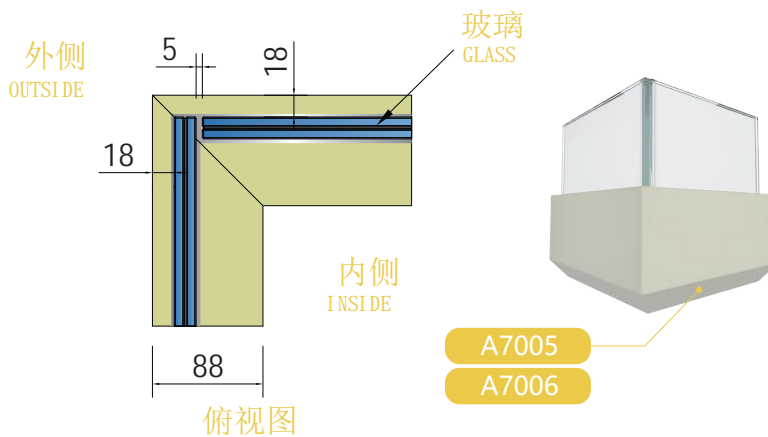
Linear Continuous Profile Installation



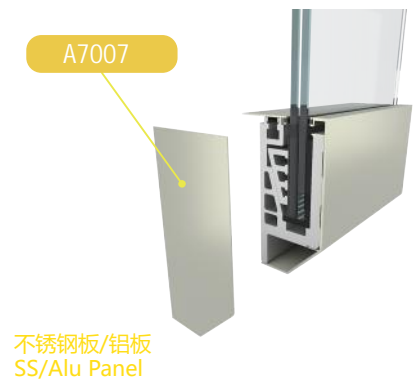
# EXTERNAL ALL GLASS RAILING SYSTEM 外挂式全玻璃护栏系统



## 转角位置安装 Splicing Installation Method



## 收口 End Cap



## 楼梯安装 Detail of Stairway Application



## 不锈钢/铝板包边 SS/Aluminum Panel Covering

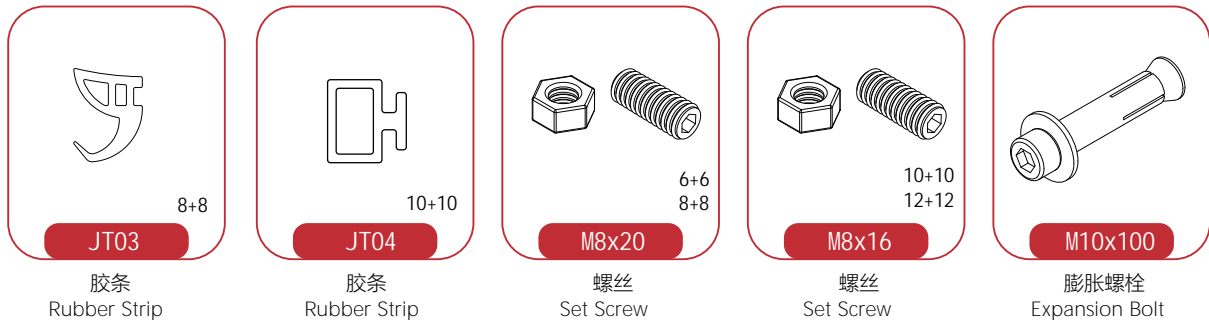
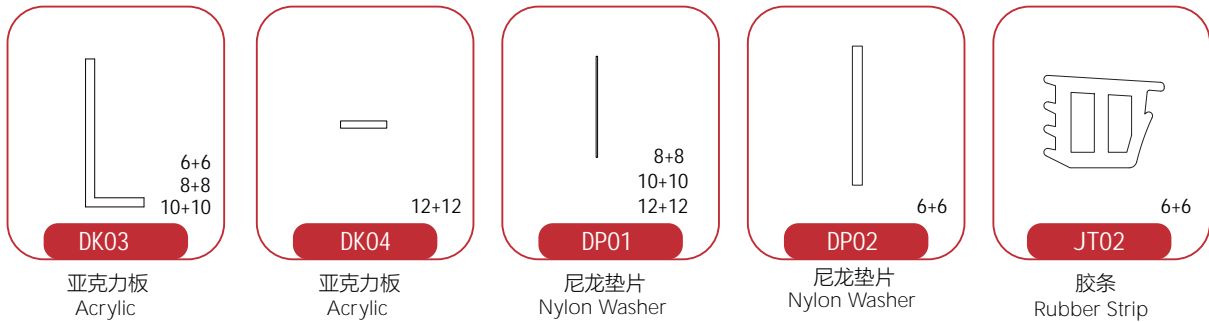
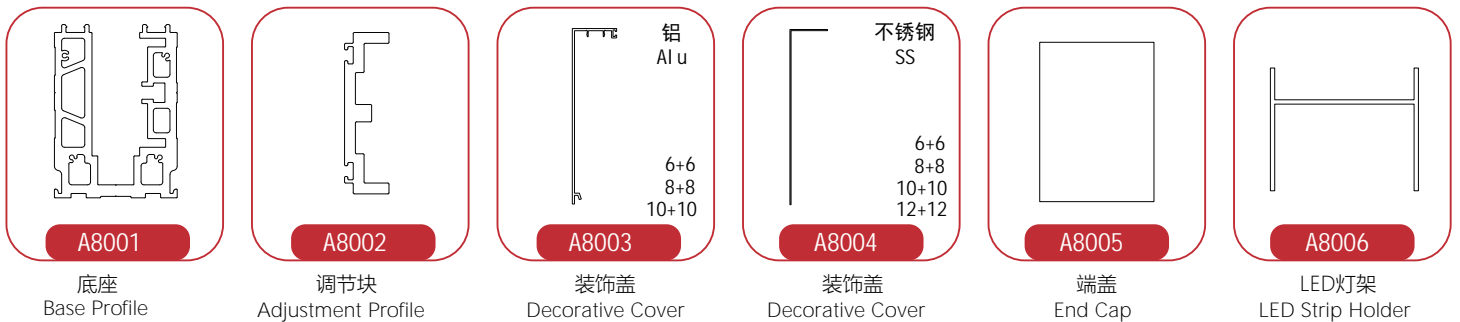
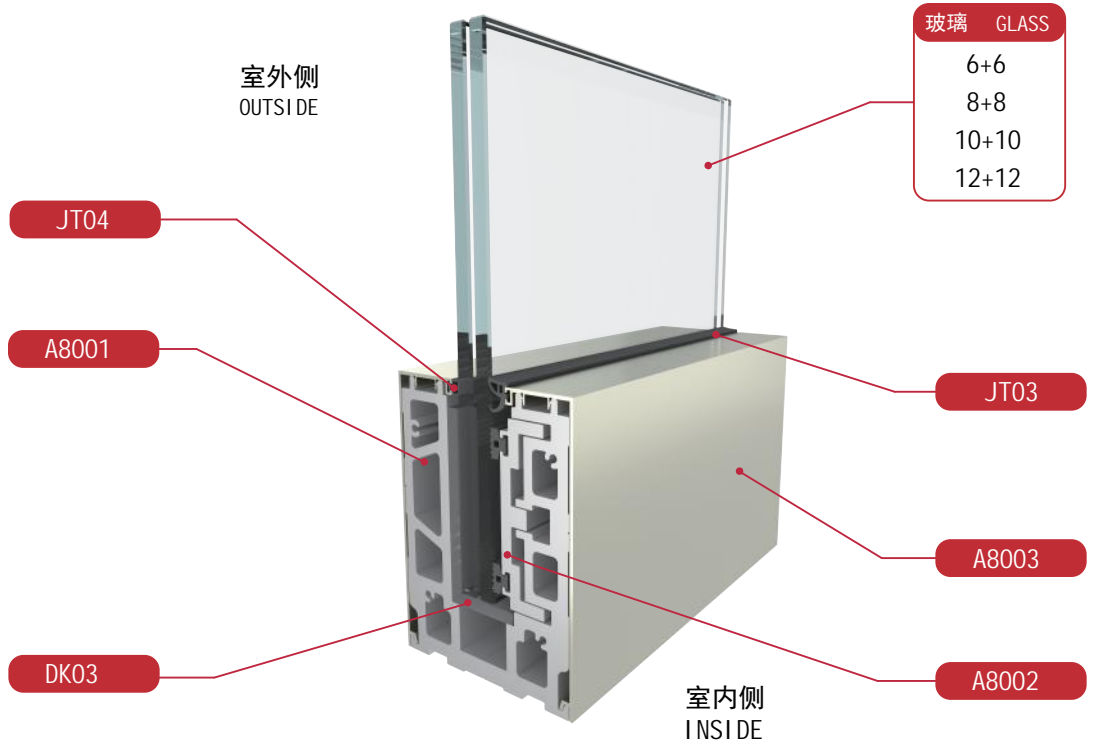


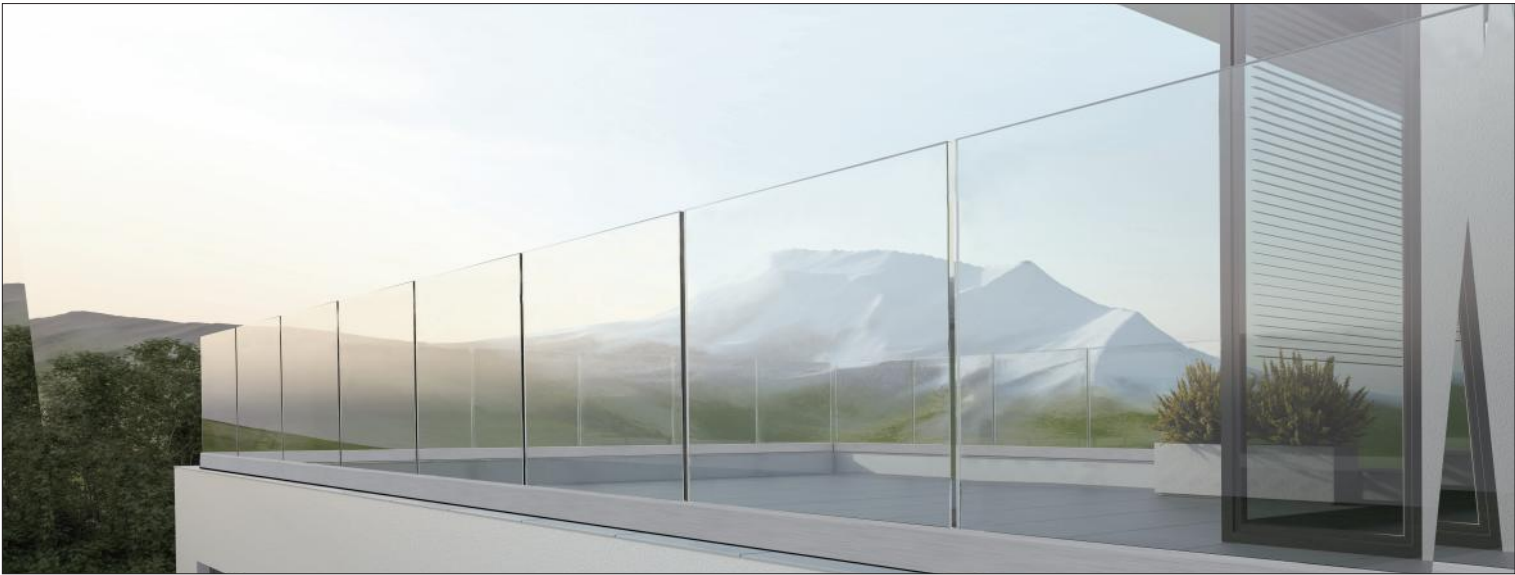


# A80

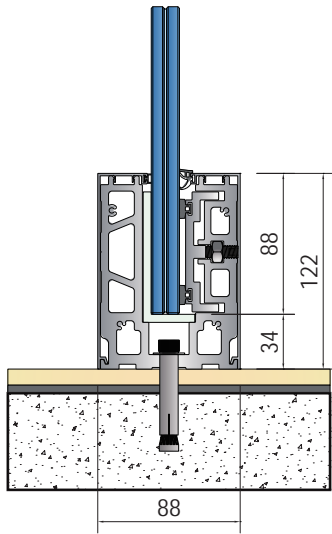
## 立装式

ON-FLOOR

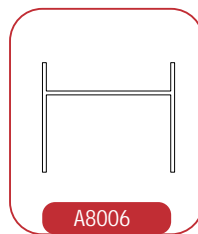




尺寸  
Detail

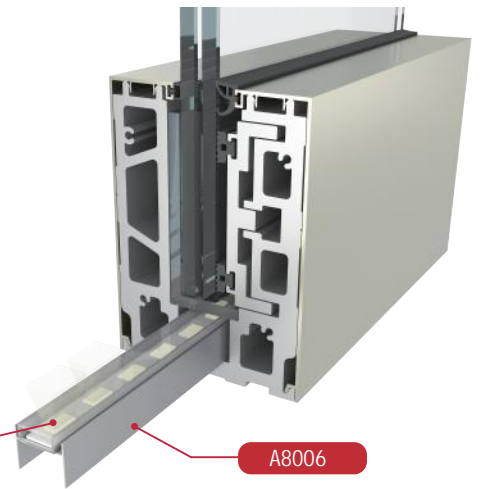


LED灯带  
LED Strip



A8006  
LED灯架  
LED Strip Holder

LED灯  
LED Strip

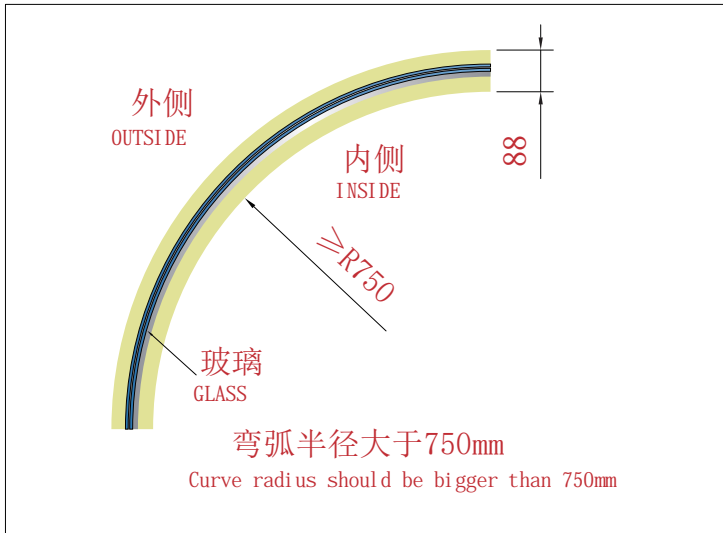


安装方式

Linear Continuous Profile Installation

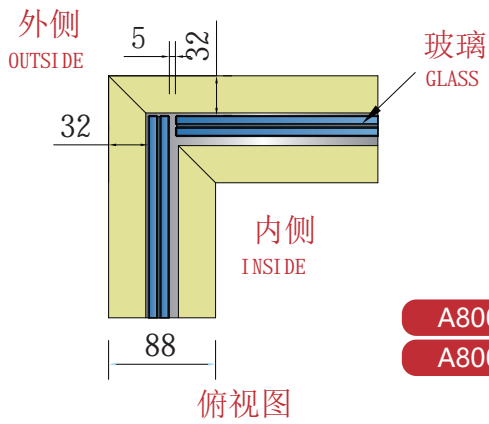




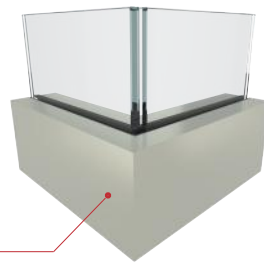


### 转角位置安装

Splicing Installation Method



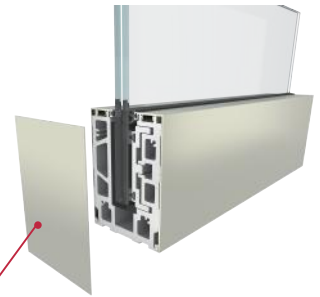
A8003  
A8004



### 收口

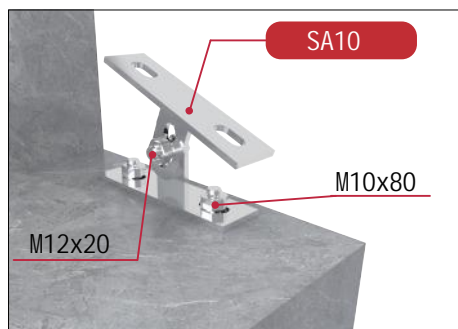
End Cap

A8005  
不锈钢板/铝板  
SS/Alu Panel



### 楼梯调节配件

Stair Adaptor



### 楼梯安装

Detail of Stairway  
Application



### 石材/不锈钢/铝板包边

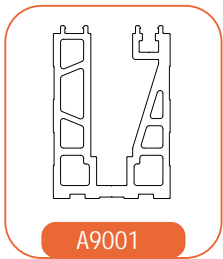
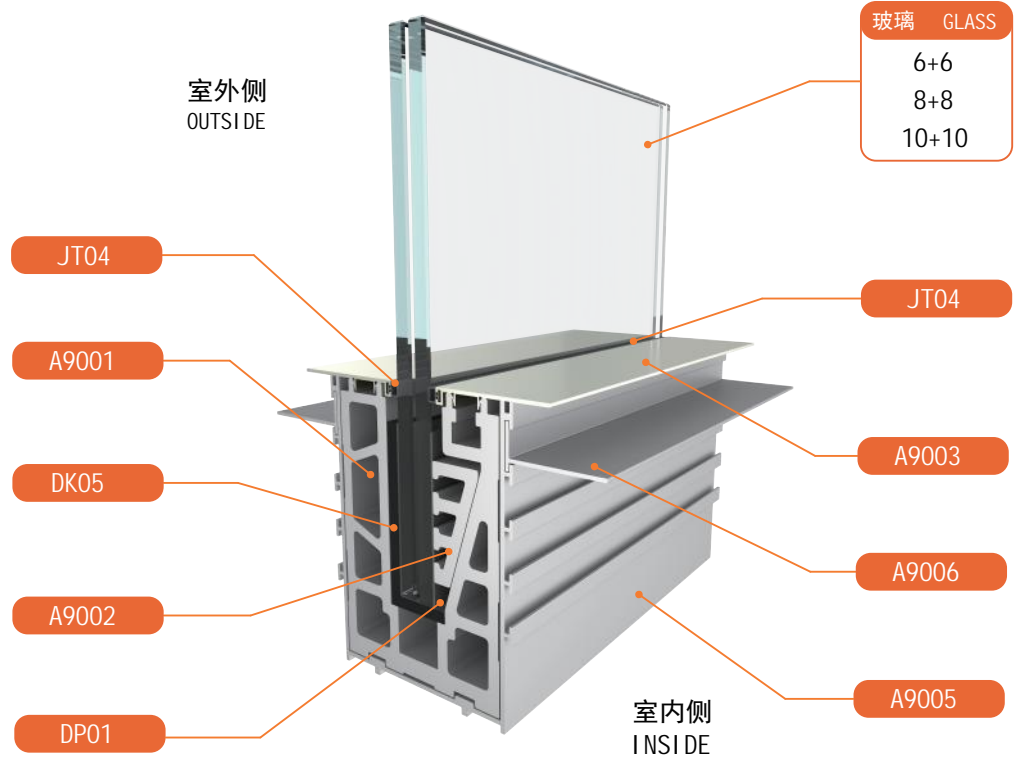
Marble Stone Covering  
SS/Aluminum Panel Covering





IN-FLOOR  
ALL GLASS RAILING SYSTEM  
预埋式全玻璃护栏系统

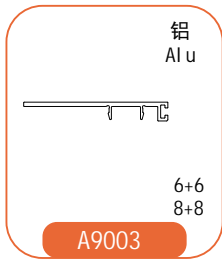
A90  
预埋式  
IN-FLOOR



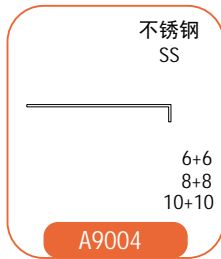
底座  
Base Profile



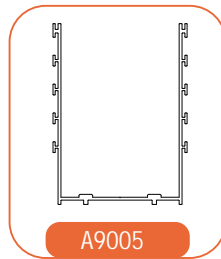
调节块  
Adjustment Profile



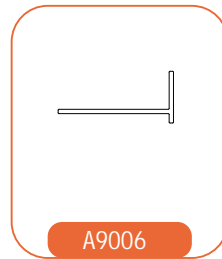
装饰盖  
Decorative Cover



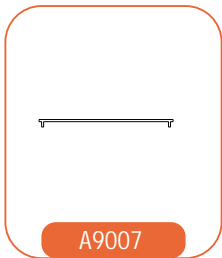
装饰盖  
Decorative Cover



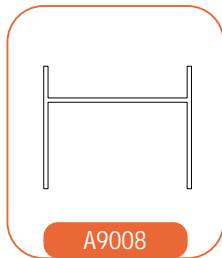
预埋型材  
Embedded Profile



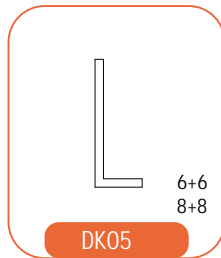
隔板  
Partition Profile



铝挡板  
Alu Cover



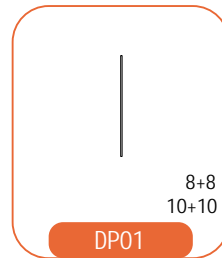
LED灯架  
LED Strip Holder



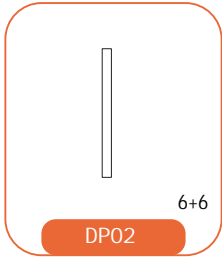
亚克力板  
Acrylic



亚克力板  
Acrylic



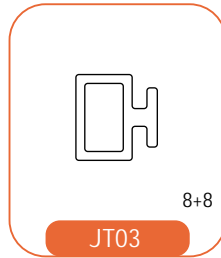
垫片  
Nylon Washer



垫片  
Nylon Washer



胶条  
Rubber Strip



胶条  
Rubber Strip

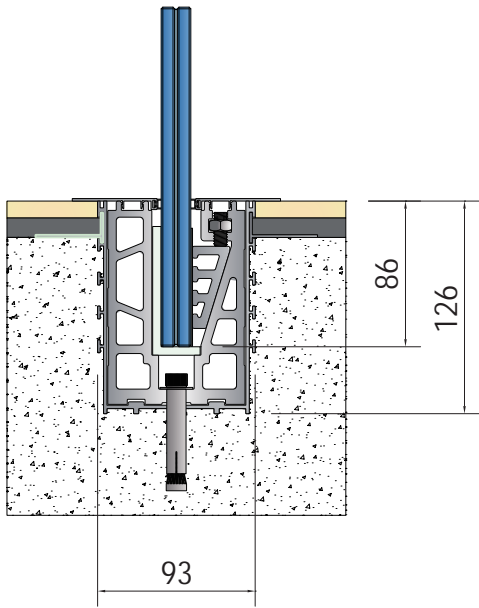


螺丝  
Set Screw

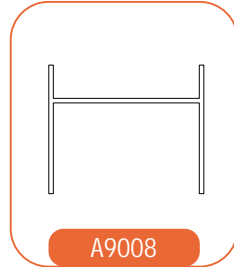


膨胀螺栓  
Expansion Bolt

尺寸  
Detail

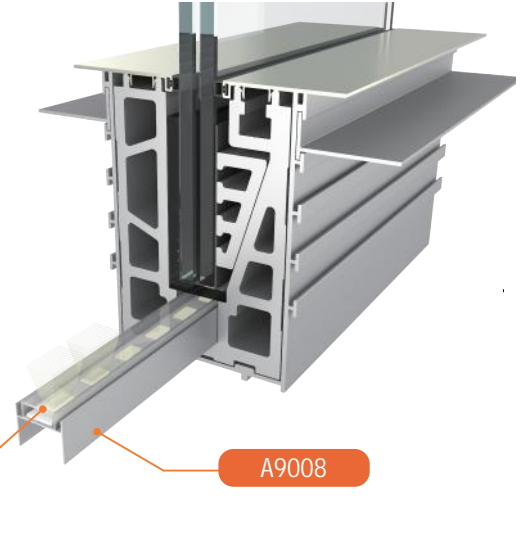


LED灯带  
LED Strip



A9008  
LED灯架  
LED Strip Holder

LED灯  
LED Strip



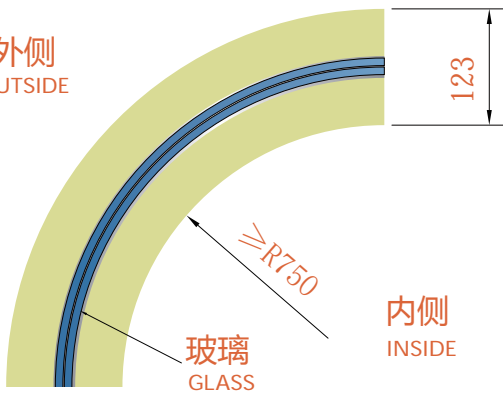
A9008



安装方式

Linear Continuous Profile Installation

外侧  
OUTSIDE



玻璃  
GLASS

内侧  
INSIDE

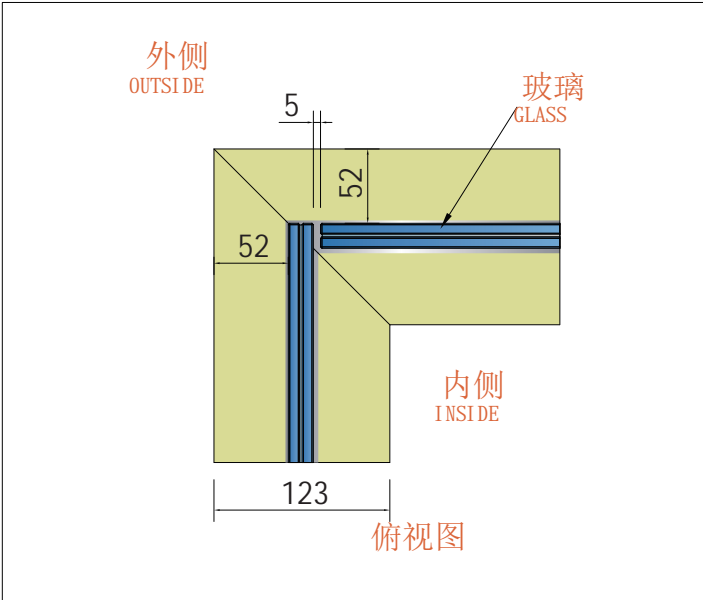
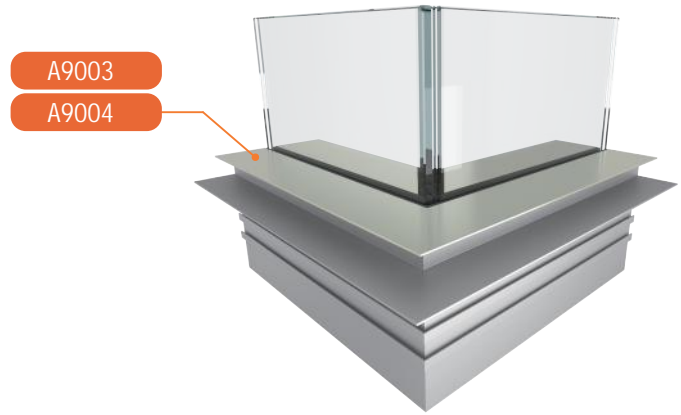
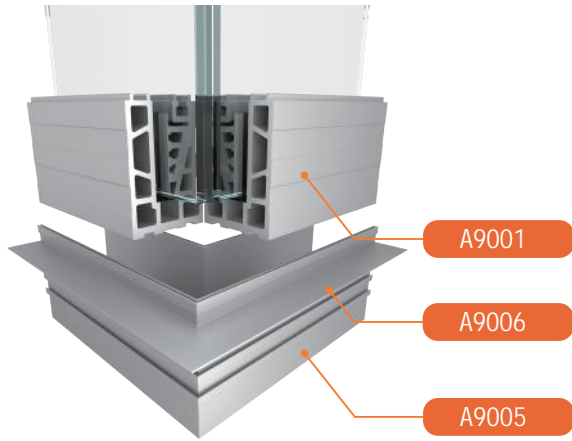
弯弧半径大于750mm

Curve radius should be bigger than 750mm



# IN-FLOOR ALL GLASS RAILING SYSTEM 预埋式全玻璃护栏系统

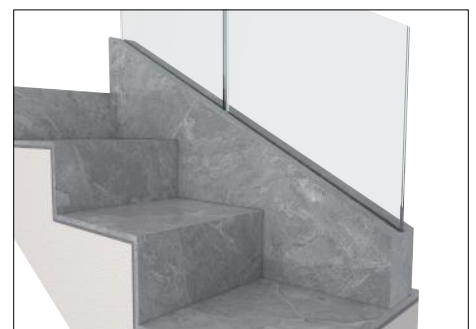
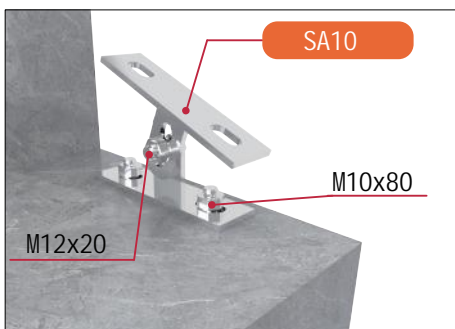
## 转角位置安装 Splicing Installation Method



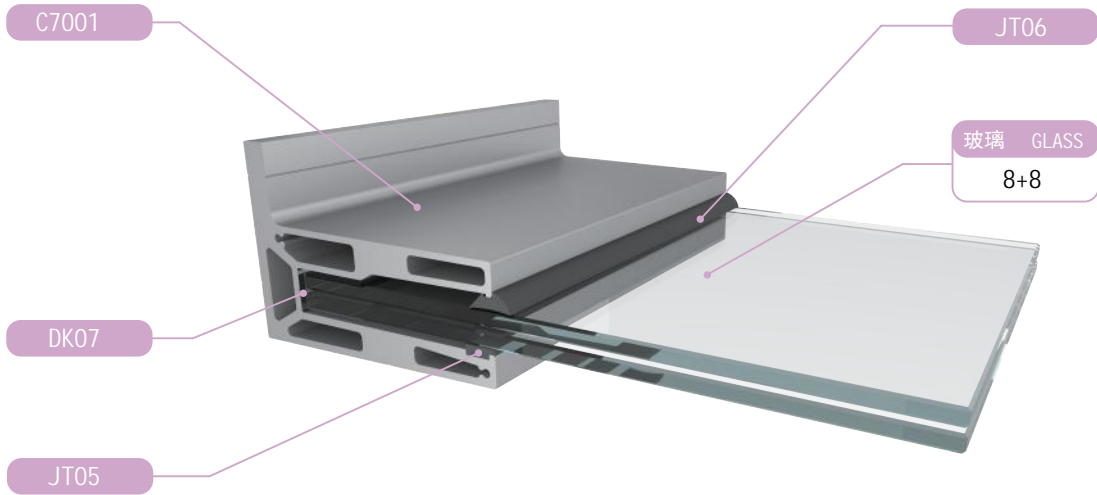
## 楼梯调节配件 Stair Adaptor

## 楼梯安装 Detail of Stairway Application

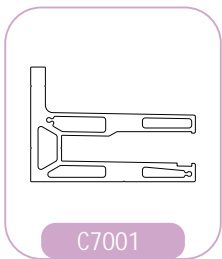
## 石材/不锈钢/铝板包边 Marble Stone Covering SS/Aluminum Panel Covering





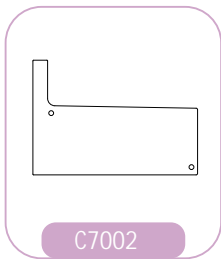


# C70 雨棚 CANOPY



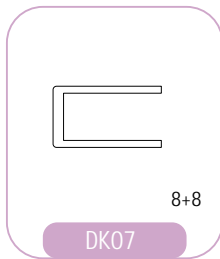
C7001

底座  
Base Profile



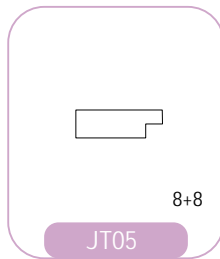
C7002

端盖  
End Cap



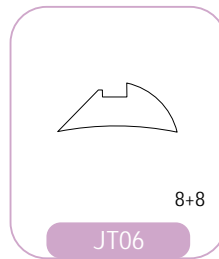
DK07

垫块  
Nylon Washer



JT05

胶条  
Rubber Strip



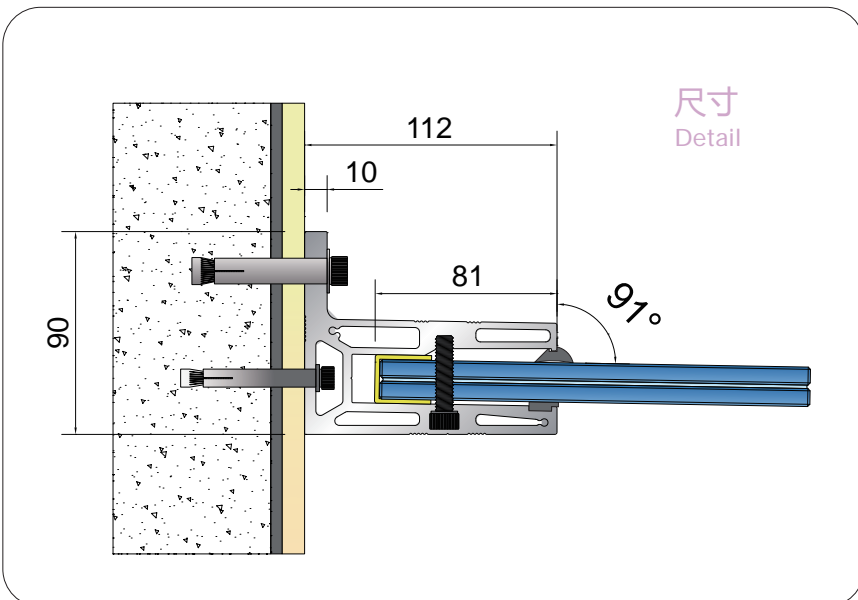
JT06

胶条  
Rubber Strip



M10x100

膨胀螺栓  
Expansion Bolt

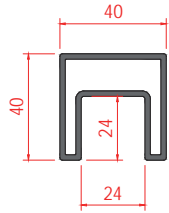




## F4040

### 方形凹槽扶手管

尺寸40\*40\*2mm  
凹槽尺寸24\*24



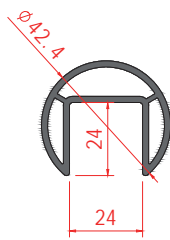
铝合金, 不锈钢



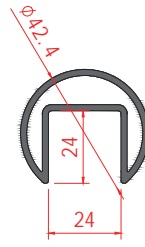
## Y424

### 圆形凹槽扶手管

42.4\*1.5mm  
凹槽尺寸24\*24



铝合金



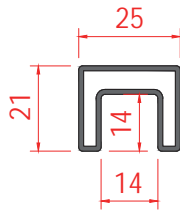
不锈钢



## F2521

### 迷你方形凹槽管

25\*21\*1.2mm  
凹槽尺寸14\*14



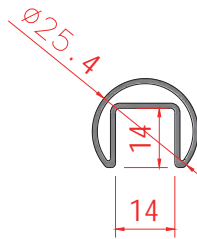
不锈钢



## Y254

### 迷你圆形凹槽管

25.4\*21\*1.2mm  
凹槽尺寸14\*14



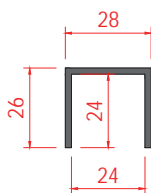
不锈钢



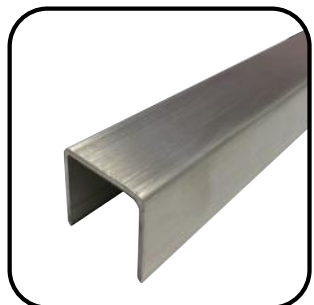
## F2826

### 2826凹槽管

28\*26\*2mm  
凹槽尺寸24\*24



不锈钢



接头JT4040



弯头WT4040



封盖FG4040



法兰FL4040



接头JT424



弯头WT424



封盖FG424



法兰FL424



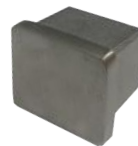
接头JT2521



弯头WT2521



封盖FG2521



法兰FL2521



接头JT254



弯头WT254



封盖FG254



法兰FL254





6+6	
6+0.76PVB+6	6+0.76SGP+6
6+1.14PVB+6	6+0.89SGP+6
6+1.52PVB+6	6+1.52SGP+6



8+8	
8+0.76PVB+8	8+0.76SGP+8
8+1.14PVB+8	8+0.89SGP+8
8+1.52PVB+8	8+1.52SGP+8



10+10	
10+1.14PVB+10	10+0.89SGP+10
10+1.52PVB+10	10+1.52SGP+10

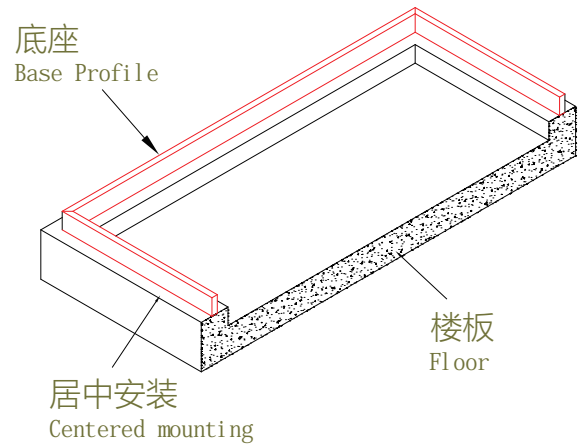
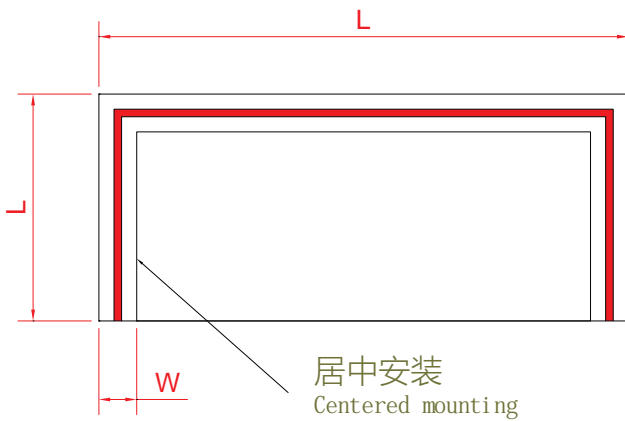
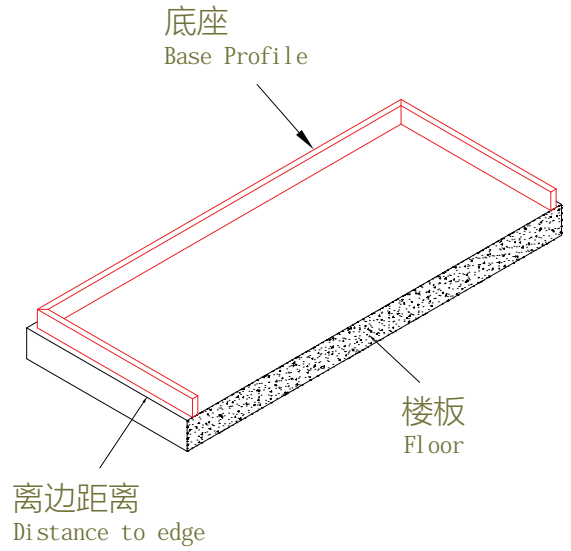
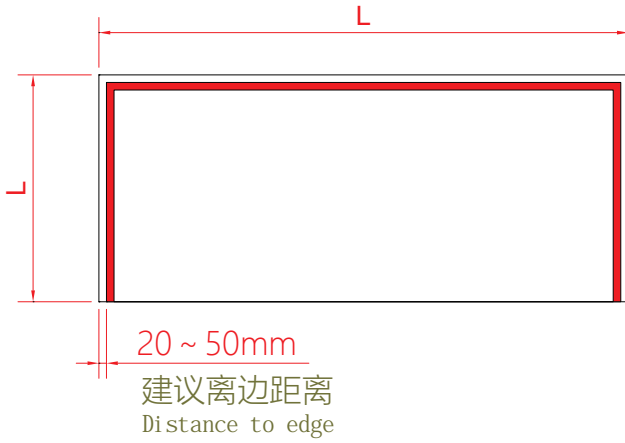


12+12	
12+1.14PVB+12	12+0.89SGP+12
12+1.52PVB+12	12+1.52SGP+12

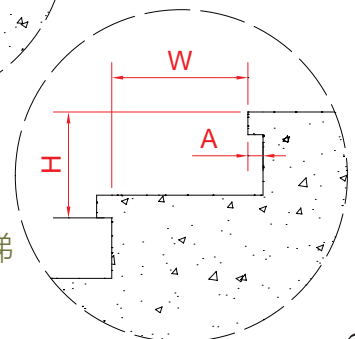
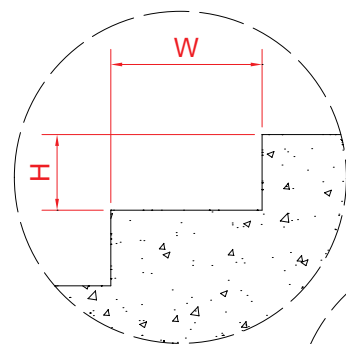
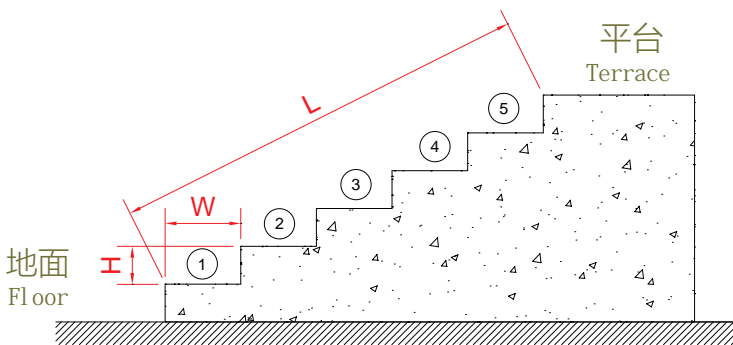


弯弧 CURVED
6+2.28VB+6
8+2.28PVB+8
10+2.28PVB+10



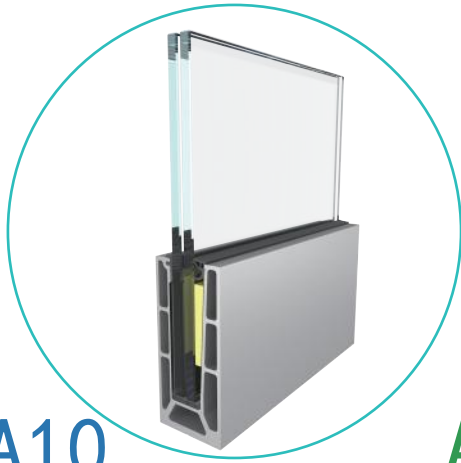


长度-L, 反梁宽度-W  
Length- L, Reversed beam width-W



长度-L, 步高-H, 步宽-W, 步数  
Length- L, Step height-H, Step width-W, Step quantity

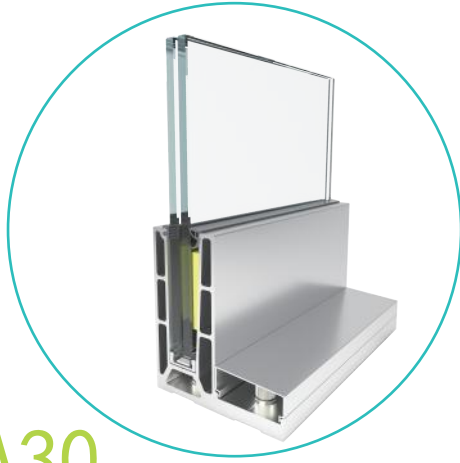




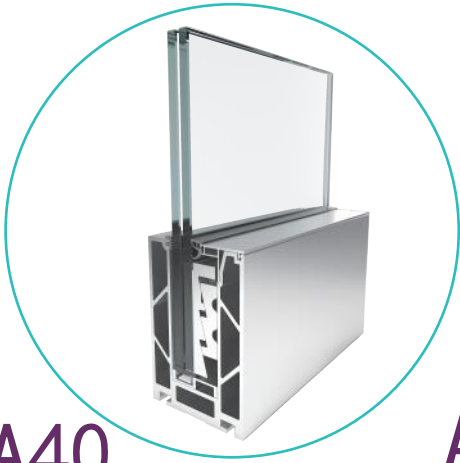
A10



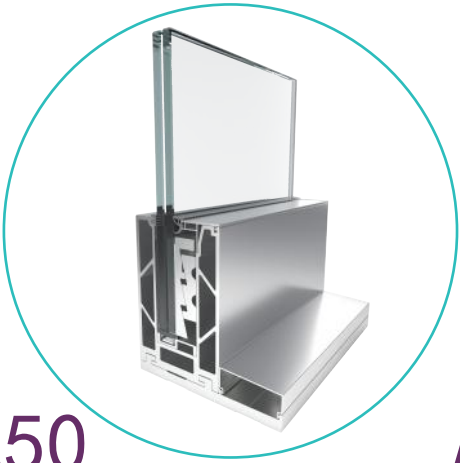
A20



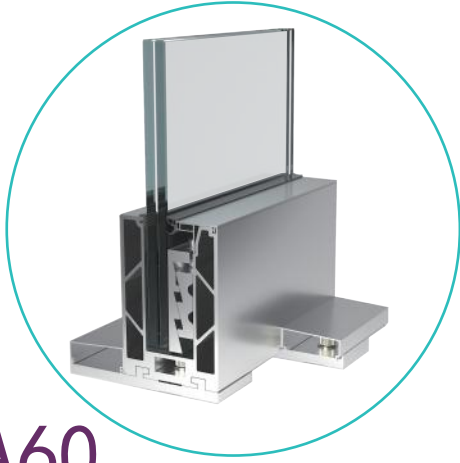
A30



A40



A50



A60



A70



A80



A90



联系我们 CONTACT US

电话: 0757 86253941 0757 86253942  
邮箱: 1831334485@qq.com  
地址: 广东省佛山市南海区狮山镇横岗旋湾工业区3号  
  
TEL: +86 757 86253941 +86 757 86253942  
Email: 1831334485@qq.com  
ADD: No.3, Xuanwan Industrial Zone, Hengang, Shishan Town, Nanhai Dist, Foshan, China



微信



WhatsApp